



ZEPHYR

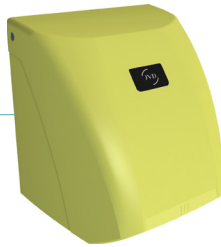
HOT AIR HAND DRYER



REF 8 11 1403
Zephyr automatic
red



REF 8 11 1400
Zephyr automatic
black



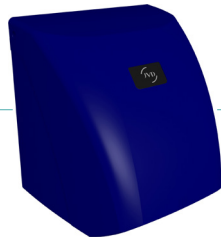
REF 8 11 1462
Zephyr automatic
neon green



REF 8 11 1401
Zephyr automatic
white



REF 8 11 1404
Zephyr automatic
light blue



REF 8 11 1402
Zephyr automatic
blue

PRODUCT + 'S



Anti-vandalism



Cost effective



6 choice of colors

*Automatic hot air hand dryer, anti-vandalism (IK10)
and customizable with customer names.
3-year warranty.*

MADE IN FRANCE



ZEPHYR

HOT AIR HAND DRYER



ELECTRICITY

Power supply	220/240 V - 50Hz
Rated power	2100 W
Standby rated power	0
Motor type	Brush
Motor lifetime	1 300 h
Lifetime in drying number	156 000
Motor rotation speed	5250 tr/min
Electrical insulation	Classe II
IP index	23
IK index	10
Electrical safety in case of malfunction	Yes
ON/OFF button	No

PERFORMANCE

Drying time	20 to 30 sec
Flow rate	190 m ³ /h
Speed variation	No
Air temperature at 10 cm from outlet	60°
Sound level	69 dB
Detection type	Infrared

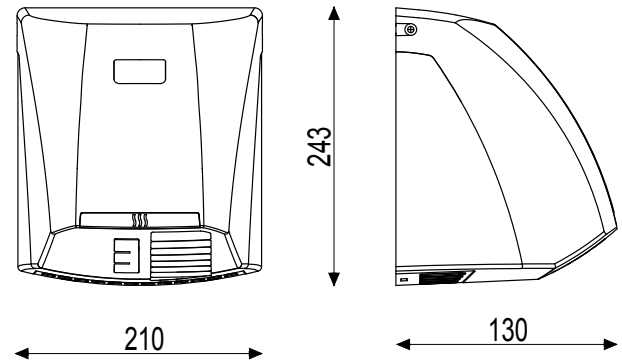
COMPOSITION

Material	ABS-PC Composite
Colors	Red / Black / Green White / Light blue Blue
Anti-vandalism	Yes
Antibacterial treatment	No
Water collection tray	No
Direct drain	No
Drying zone light	No
Heating element	Yes
Filtered air	No

LOGISTICS

Net weight	2.000 kg
Gross weight	2.030 kg
Logistics unit	6
HS Code	8516330000
Gencod - Red	3324120014035
Gencod - Black	3324120014004
Gencod - Neon green	3324120014622
Gencod - White	3324120014011
Gencod - Light blue	3324120014042
Gencod - Blue	3324120014028

TECHNICAL DRAWINGS



INSTALLATION HEIGHT

Distance between floor and bottom of the product (in cm)

- Man : 130
- Woman : 125
- Children : 120
- Person with reduced mobility : 100

