

Raindance Select

Raindance Select E 360 1jet Showerpipe for bath tub

Surfaces: **chrome** Article Number: **27113000**



Description

product features

- overhead shower Raindance E 360 Air
- shower head size: 360 x 190 mm
- overhead shower angle adjustable
- spray type: RainAir (rain spray enriched with air)
- flow rate RainAir spray (at 0.3 MPa): 17 l/min
- operating pressure: min. 0.13 MPa/max. 1.0 MPa
- fully chrome-plated spray disc
- shower arm length: 380 mm
- thermostat Ecostat Select
- flow rate bath filler: 20 l/min
- with spacious shelf
- shelf finish: chrome or white
- safety lock at 40° C
- adjustable hot water limitation
- outlets controlled via turning handle
- installation type: exposed installation
- in case of installation on existing G 1/2 connections, adaptor no.02026000 must be used

consists of

- Porter'S shower holder (#28331XXX)
- Isiflex shower hose 1.60 m (#28276XXX)
- Raindance Select E 120 3jet hand shower (#26520XXX)

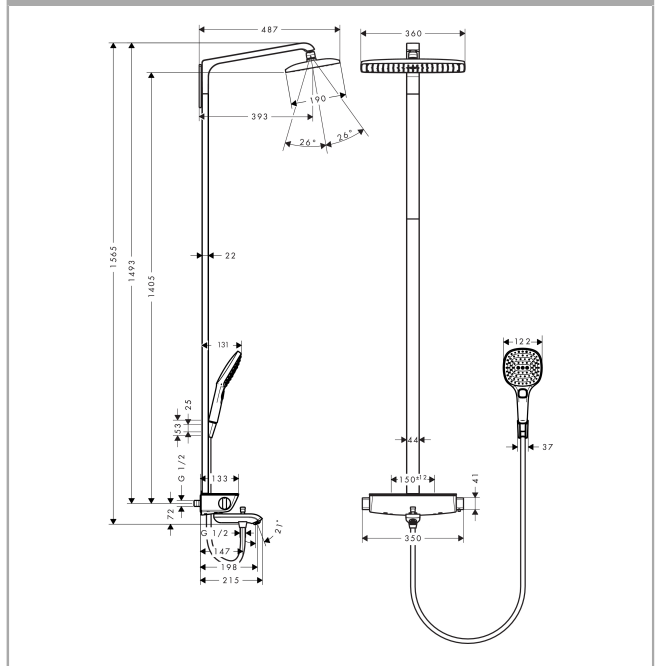
Technology



Product image



Scale drawing



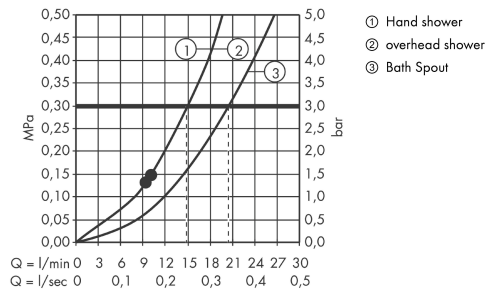
Raindance Select

Raindance Select E 360 1jet Showerpipe for bath tub

Surfaces: **chrome** Article Number: **27113000**



Flowchart



Raindance Select
Raindance Select E 360 1jet Showerpipe for bath tub
 Surfaces: **chrome** Article Number: **27113000**



Installation examples

