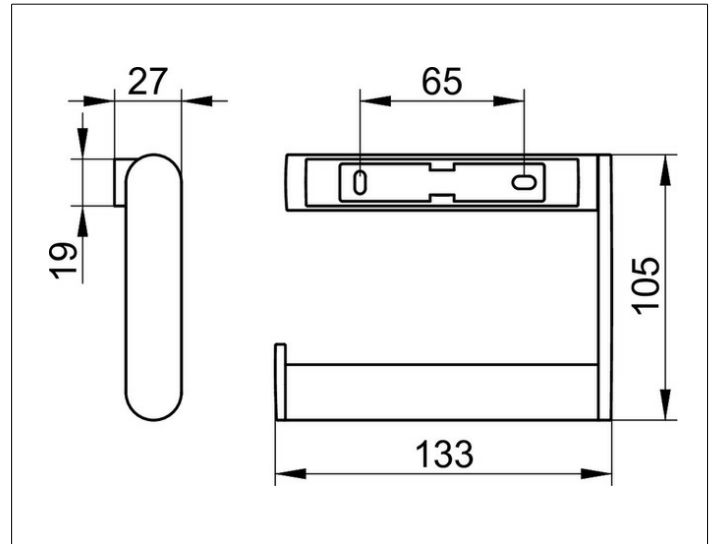


Plan
14962370000 Toilet paper holder

PRODUCT



DRAWING



PRODUCT ATTRIBUTES

open form
for 100/120 mm wide paper rolls

SURFACE

black matt